

CLOUDLAB SERIES

AC INFINITY

WELCOME

Thank you for choosing AC Infinity. We are committed to product quality and friendly customer service. If you have any questions or suggestions, please don't hesitate to [contact](#) us. Visit www.acinfinity.com and click [contact](#) for our contact information.

EMAIL

support@acinfinity.com

WEB

www.acinfinity.com

LOCATION

Los Angeles, CA

PRODUCT	MODEL	UPC-A
CLOUDLAB 422	AC-CBA422	819137021532
CLOUDLAB 632	AC-CBA632	819137021556
CLOUDLAB 642	AC-CBA642	819137021549
CLOUDLAB 722	AC-CBA722	819137022409
CLOUDLAB 733	AC-CBA733	819137021563
CLOUDLAB 811	AC-CBA811	819137021877
CLOUDLAB 816	AC-CBA816	819137021884
CLOUDLAB 844	AC-CBA844	819137021570
CLOUDLAB 866	AC-CBA866	819137021587
CLOUDLAB 894	AC-CBA894	819137021853
CLOUDLAB 899	AC-CBA899	819137021860
CLOUDLAB 632D	AC-CBD632	819137022089
CLOUDLAB 743D	AC-CBD743	819137022096
CLOUDLAB 864D	AC-CBD864	819137022140

MANUAL INDEX

Manual Index	Page 5
Product Warning	Page 6
Key Features	Page 7
Product Contents	Page 8
Tent Set Up	Page 11
Controller Plate Set Up	Page 28
Mounting Guide	Page 30
Quick Build Guide	Page 32
Configuration Setup	Page 33
UIS™ Platform	Page 34
Other AC Infinity Products	Page 35
Warranty	Page 36

PRODUCT WARNING



1. Read all instructions before installing and using this product.
2. Do not use a mounting bar to replace a grow tent roof bar. These bars are not replacements and will not support the weight of LED grow lights or heavy ventilation equipment.
3. This product pairs with those that have rotating parts. Safety precautions should be exercised during the installation, operation, and maintenance of this product.

KEY FEATURES

HIGH-DENSITY CANVAS

Mylar canvas with 2000D density rating to be 100% external lightproof. Diamond-patterned interior lining amplifies reflectivity.

VIEWING WINDOW

Clear and adjustable window offers you a snapshot of the interior without compromising your environment.

DUCTWORK ACCESS

Double cinching ports secure your flexible ducting tubes on both sides of the tent to streamline airflow routing.

HEAVY-DUTY FRAME

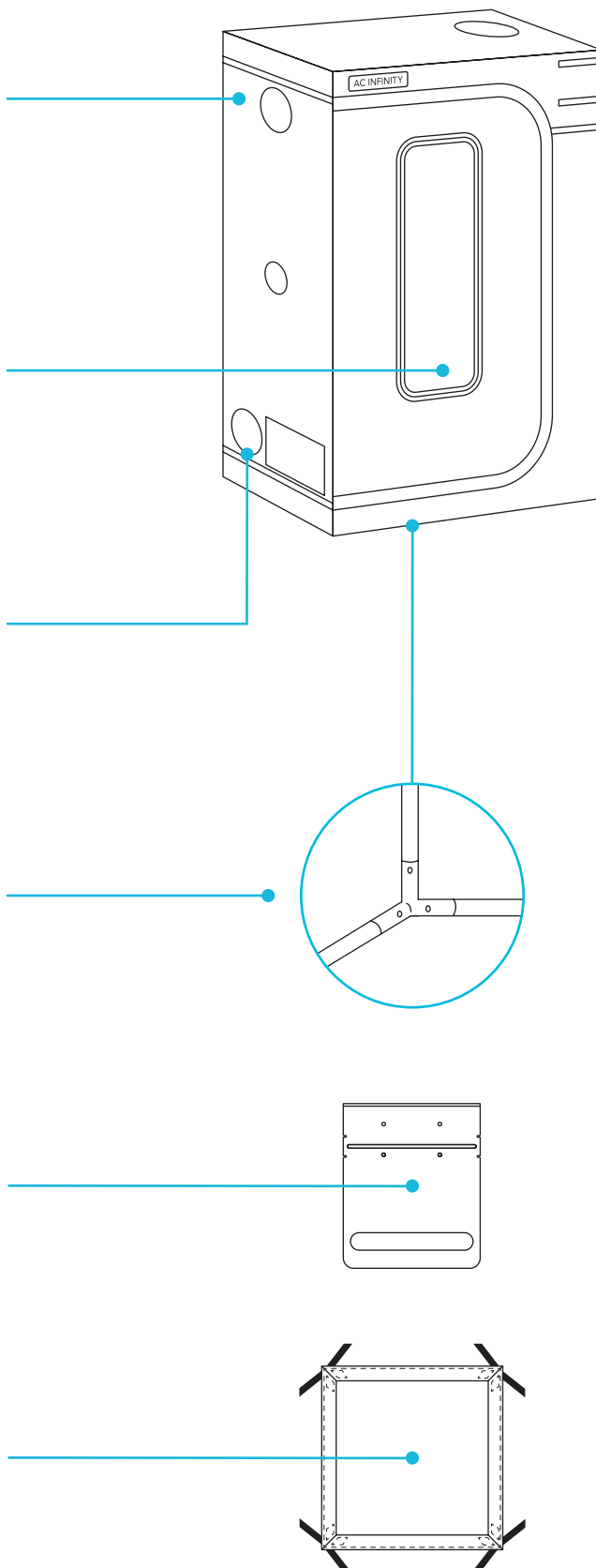
Thick 22mm steel tubes and connectors provide the tent with a sturdy structure. Can carry fans and lights up to 300 pounds.

CONTROLLER PLATE

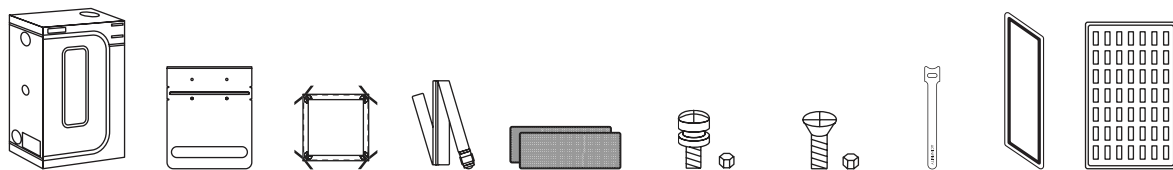
Steel plate designed to mount fan and lighting controllers. Their cords can enter the tent securely through the plate's opening.

SPILL TRAY

Waterproof lining that catches water, soil, and other debris to prevent leakage in the grow tent.



PRODUCT CONTENTS



CLOUDLAB SERIES	Grow Tent	Controller Plate	Spill Tray	Filter Straps	Controller Adhesive	Controller Screws	Wall Screws	Cable Ties	Mylar Wall	Drying Rack
CLOUDLAB 422	x1	x1	x1	x2	x6	x4	x4	x4	N/A	N/A
CLOUDLAB 632	x1	x1	x1	x2	x6	x4	x4	x4	N/A	N/A
CLOUDLAB 642	x1	x1	x1	x2	x6	x4	x4	x4	N/A	N/A
CLOUDLAB 722	x1	x1	x1	x2	x6	x4	x4	x4	N/A	N/A
CLOUDLAB 733	x1	x1	x1	x2	x6	x4	x4	x4	N/A	N/A
CLOUDLAB 844	x1	x1	x1	x2	x6	x4	x4	x4	N/A	N/A
CLOUDLAB 866	x1	x1	x1	x2	x6	x4	x4	x4	N/A	N/A
CLOUDLAB 816	x1	x2	x1	x2	x12	x8	x8	x4	N/A	N/A
CLOUDLAB 811	x1	x2	x2	x4	x12	x8	x8	x4	N/A	N/A
CLOUDLAB 899	x1	x2	x2	x4	x12	x8	x8	x4	N/A	N/A
CLOUDLAB 894	x1	x2	x1	x2	x12	x8	x8	x4	N/A	N/A
CLOUDLAB 632D	x1	x1	x3	x2	x6	x4	x4	x4	x1	x1
CLOUDLAB 743D	x1	x1	x3	x2	x6	x4	x4	x4	x1	x1
CLOUDLAB 864D	x1	x1	x3	x2	x6	x4	x4	x4	x1	x1

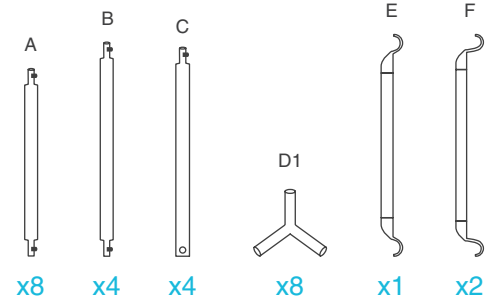
PRODUCT CONTENTS

CLOUDLAB SERIES Included only with

CLOUDLAB 422 AC-CBA422

CLOUDLAB 722 AC-CBA722

PAGE 11-15, 28-31
For Setup Instructions



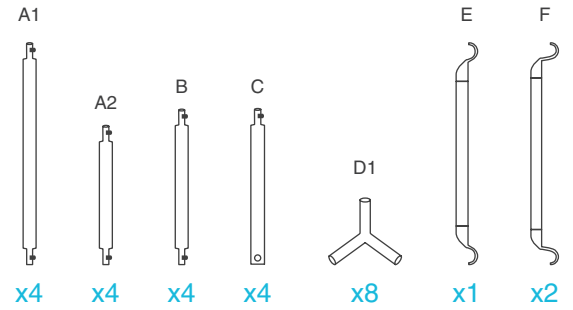
FRAME POLES

CLOUDLAB SERIES Included only with

CLOUDLAB 632 AC-CBA632

CLOUDLAB 642 AC-CBA642

PAGE 11-15, 28-31
For Setup Instructions



FRAME POLES

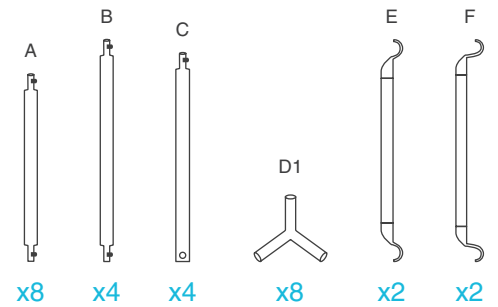
CLOUDLAB SERIES Included only with

CLOUDLAB 733 AC-CBA733

CLOUDLAB 844 AC-CBA844

CLOUDLAB 866 AC-CBA866

PAGE 11-15, 28-31
For Setup Instructions



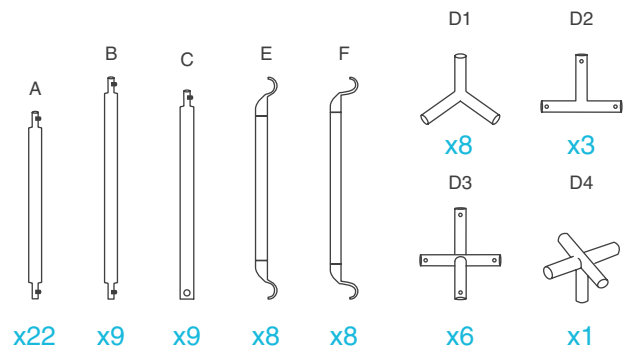
FRAME POLES

CLOUDLAB SERIES Included only with

CLOUDLAB 899 AC-CBA899

CLOUDLAB 811 AC-CBA811

PAGE 20-23, 28-31
For Setup Instructions



FRAME POLES

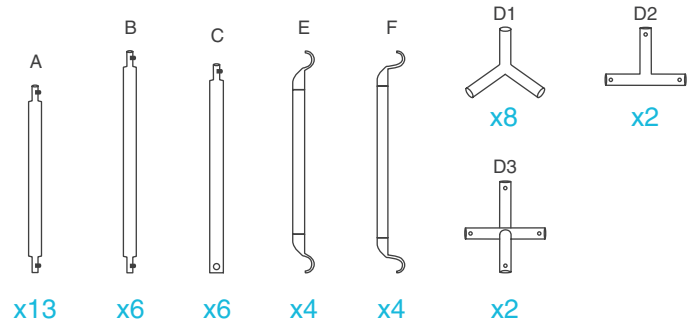
PRODUCT CONTENTS

CLOUDLAB SERIES Included only with

CLOUDLAB 894 AC-CBA894

CLOUDLAB 816 AC-CBA816

PAGE 16-19, 28-31
For Setup Instructions



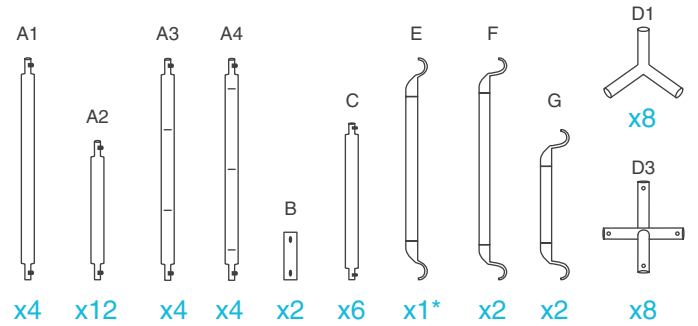
FRAME POLES

CLOUDLAB SERIES Included only with

CLOUDLAB 632D AC-CBD632

CLOUDLAB 864D AC-CBD864

PAGE 24-31
For Setup Instructions



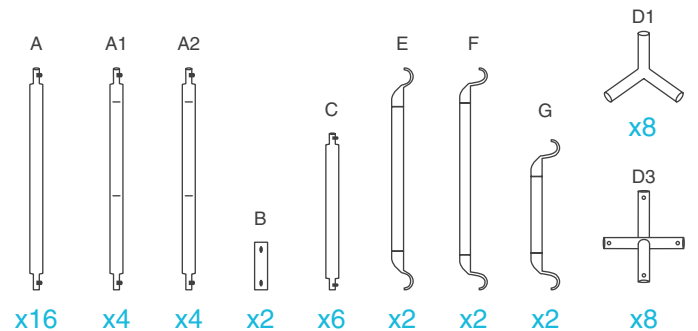
* Model AC-CBD632 has x1 "E" Roof Bar
Model AC-CBD864 has x2 "E" Roof Bar

FRAME POLES

CLOUDLAB SERIES Included only with

CLOUDLAB 743D AC-CBD743

PAGE 24-31
For Setup Instructions



FRAME POLES

NOTE: Pole lengths and height markups may vary between all models.

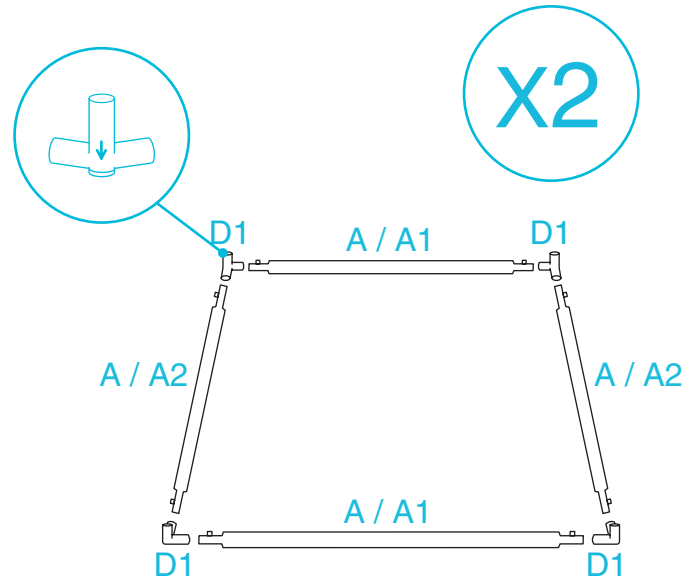
TENT SETUP

CLOUDLAB 422 / 632 / 642 / 722 / 733 / 844 / 866

STEP 1

Insert the eight (A) poles and into the floor end of the corner (D1) pieces to create two bases.

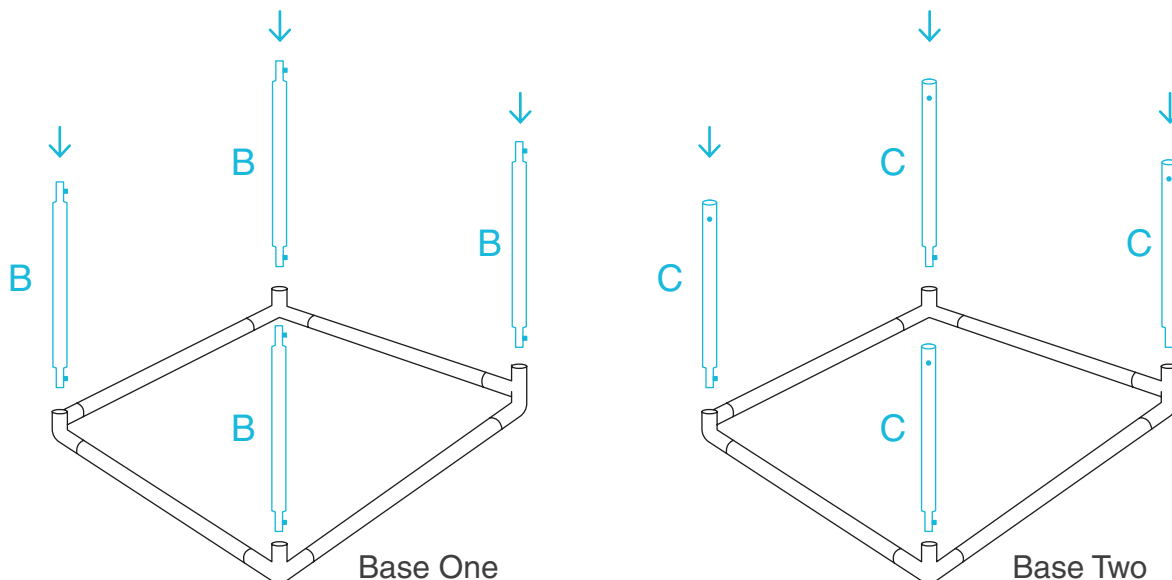
When assembling, make sure the feet of each corner (D1) piece faces the floor with the arrow facing down.



*NOTE: Poles in models AC-CBA632 and AC-CBA642 are labeled A1 & A2.

STEP 2

Insert the four (B) poles into Base One.
Insert the four (C) poles into Base Two.

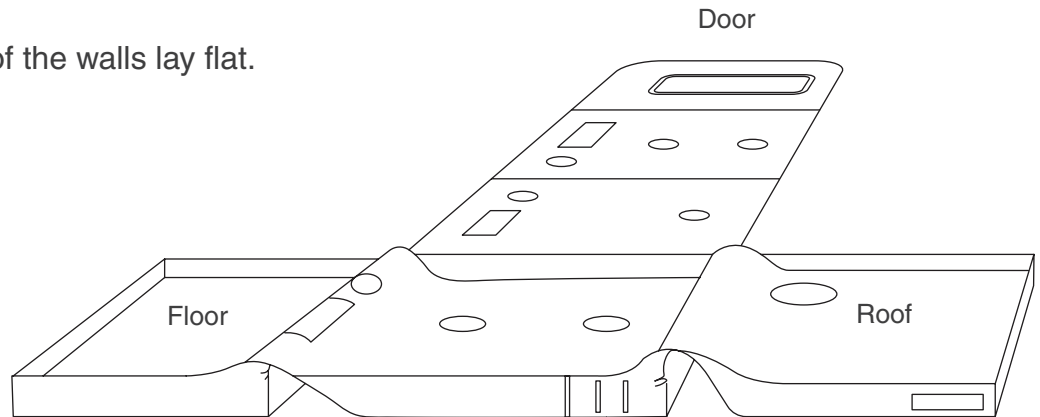


TENT SETUP

CLOUDLAB 422 / 632 / 642 / 722 / 733 / 844 / 866

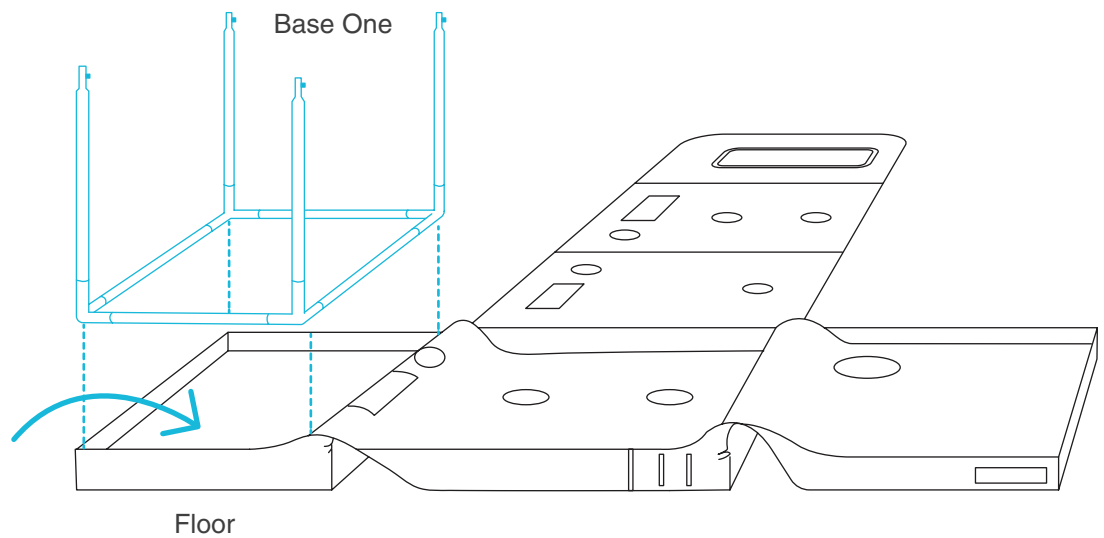
STEP 3

Unzip the tent so that three of the walls lay flat.



STEP 4

Guide Base One into the floor of the tent, making sure its corners meet the tent's corners.

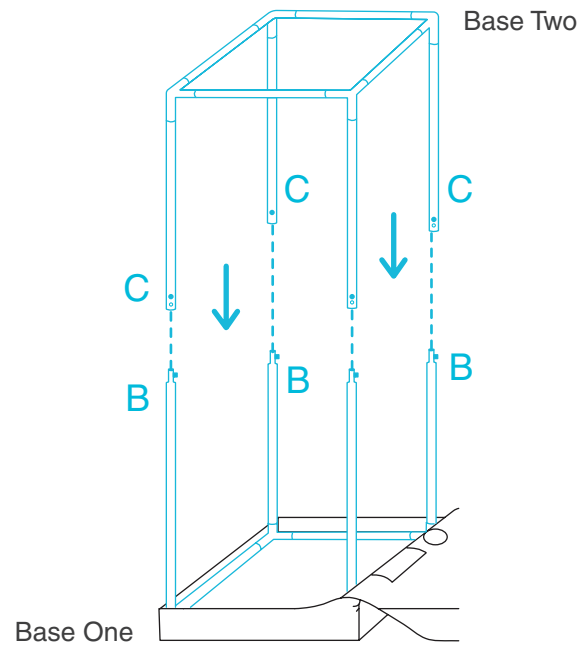


TENT SETUP

CLOUDLAB 422 / 632 / 642 / 722 / 733 / 844 / 866

STEP 5

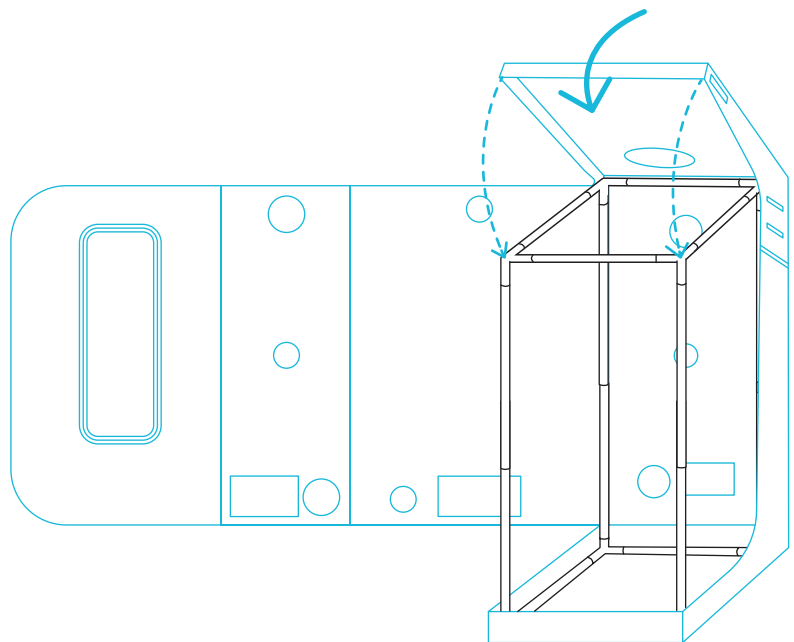
Insert the poles of Base Two into the poles of Base One to complete the frame.



*Two people are recommended for this portion of the tent assembly.

STEP 6

Pull the roof over the assembled frame.



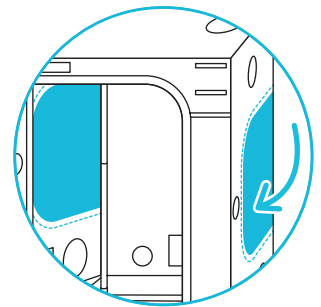
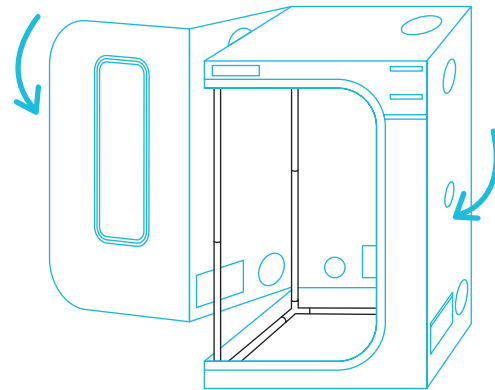
*Two people are recommended for this portion of the tent assembly.

TENT SETUP

CLOUDLAB 422 / 632 / 642 / 722 / 733 / 844 / 866

STEP 7

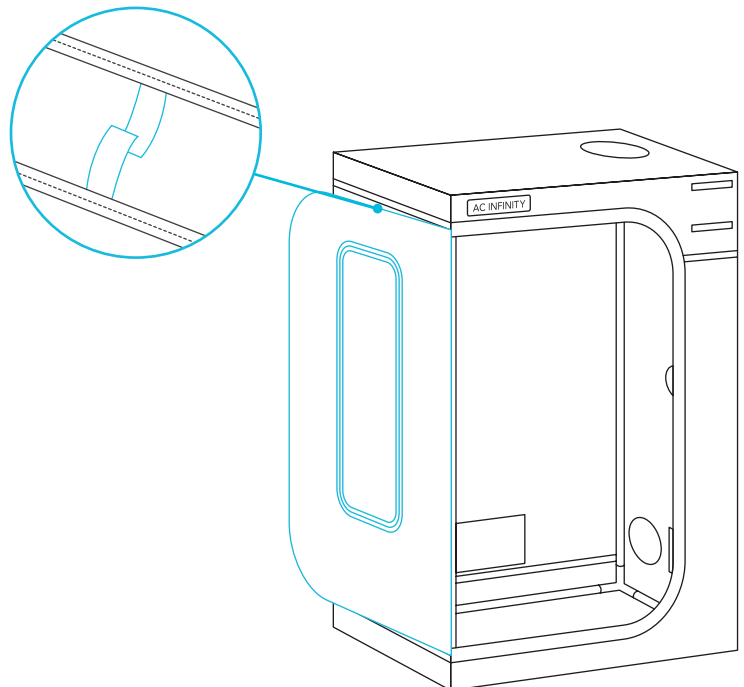
Pull the upper and lower zippers to close the walls and door.



*CLOUDLAB 733 / 844 / 866 has additional side door for ease of access.

STEP 8

You can neatly hold the window wall open any time by using its attached hook and loop strap.

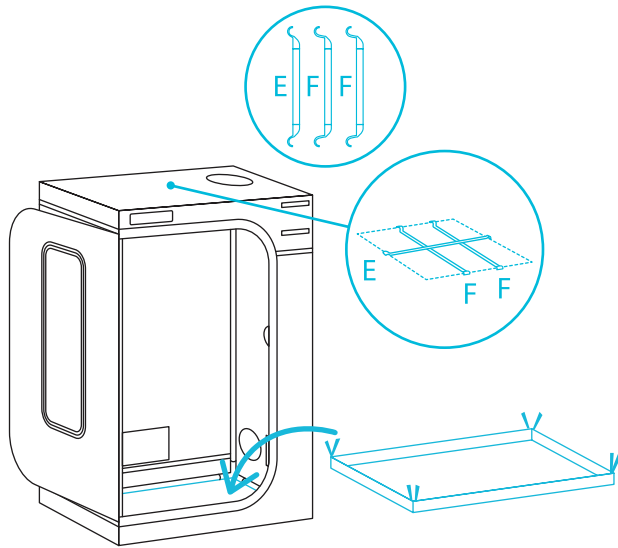


TENT SETUP

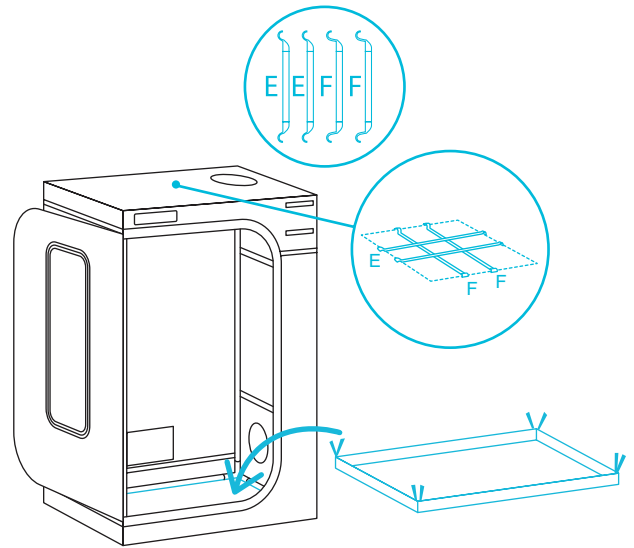
CLOUDLAB 422 / 632 / 642 / 722 / 733 / 844 / 866

STEP 9

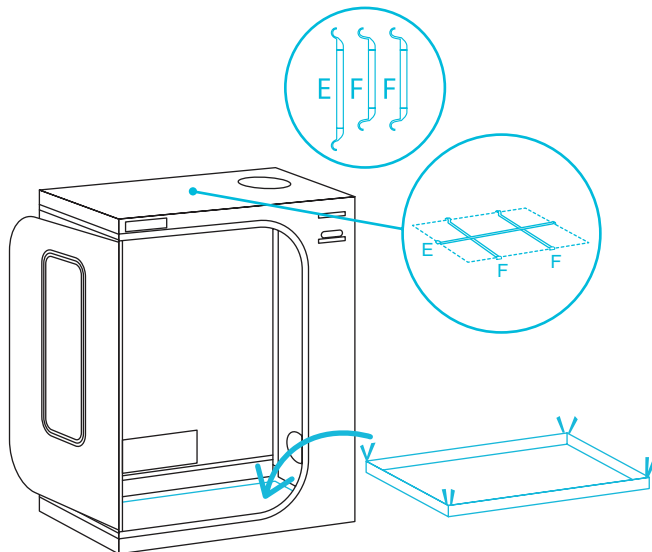
Add the roof support beams (E) then (F).
Insert the spill pool into the tent and secure
the hook and loop straps around the poles.



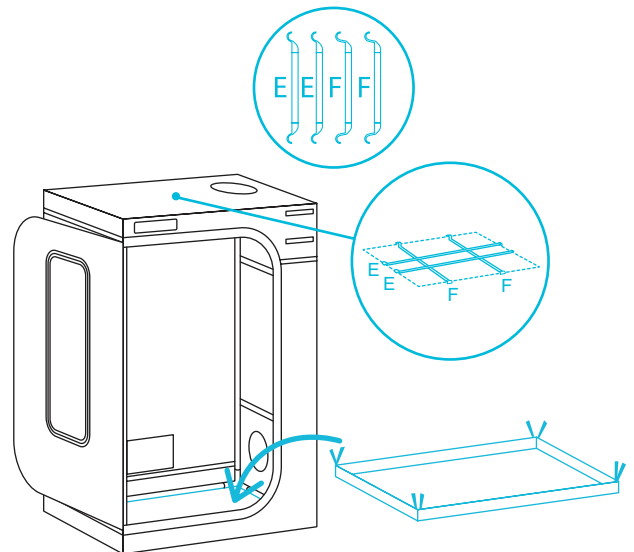
CLOUDLAB 422, 722



CLOUDLAB 733



CLOUDLAB 632, 642



CLOUDLAB 844, 866

*CLOUDLAB 733 / 844 / 866 has additional side door for ease of access.

TENT SETUP

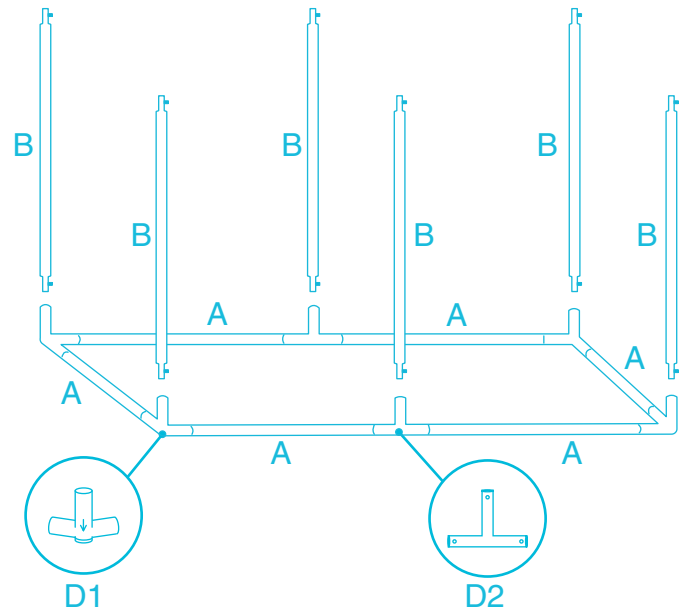
CLOUDLAB 816 / 894

STEP 1

Insert six (A) poles into the floor end of the corner (D1) pieces and 3-way (D2) connectors to create the base.

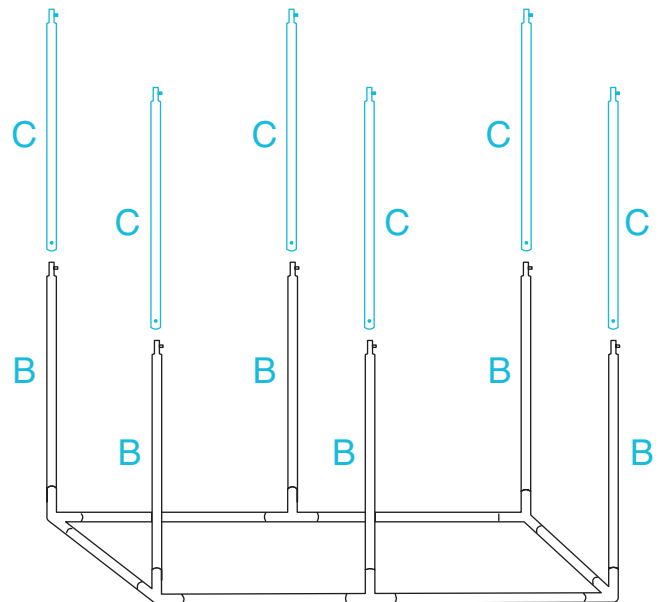
Insert the six (B) poles into the corner (D1) pieces and the two 3-way (D2) connectors.

When assembling, make sure the feet of each corner (D1) piece faces the floor with the arrow facing down.



STEP 2

Insert the six (C) poles into the six (B) poles.



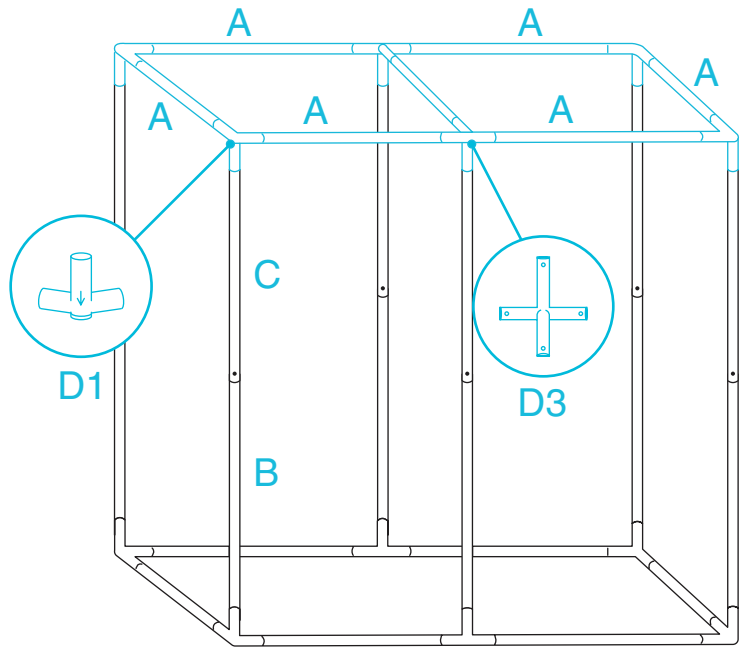
TENT SETUP

CLOUDLAB 816 / 894

STEP 3

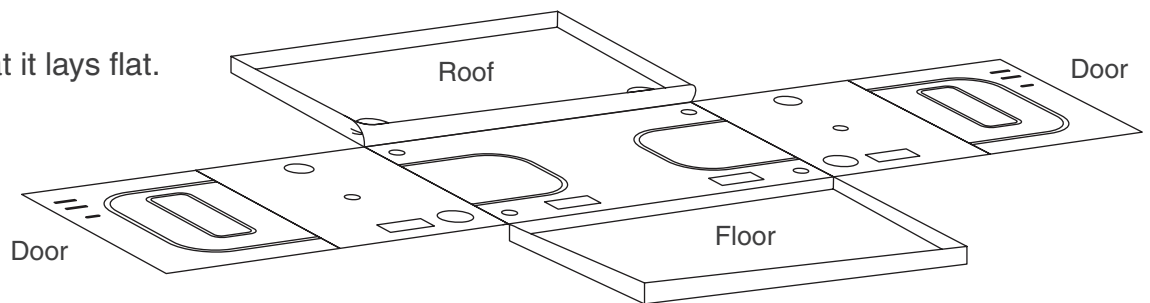
Insert four corner (D1) pieces into the corner (C) poles and the two 4-way (D3) connectors into the middle (C) poles.

Insert six (A) poles in between the corner (D1) pieces and 4-way (D3) connectors.



STEP 4

Unzip the tent so that it lays flat.

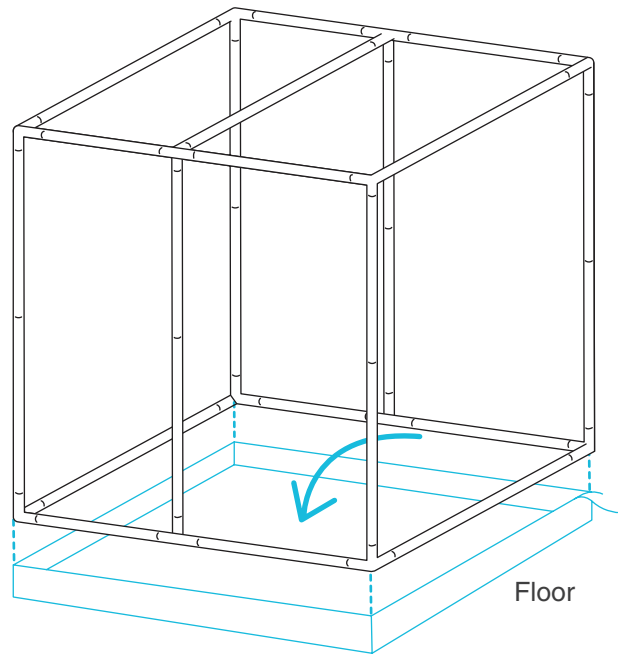


TENT SETUP

CLOUDLAB 816 / 894

STEP 5

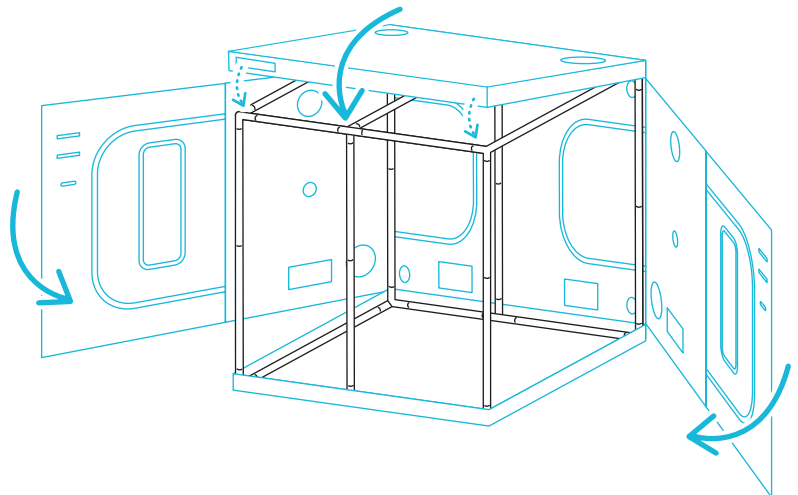
Guide the completed frame into the floor of the tent, making sure its corners meet the tent's corners.



*Two people are recommended for this portion of the tent assembly.

STEP 6

Pull the roof over the assembled frame. Pull the upper and lower zippers to close the walls.



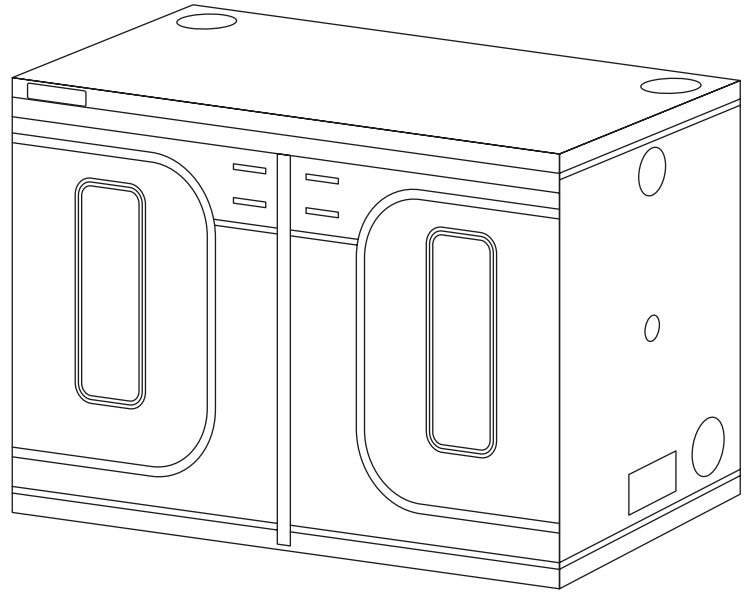
*Two people are recommended for this portion of the tent assembly.

TENT SETUP

CLOUDLAB 816 / 894

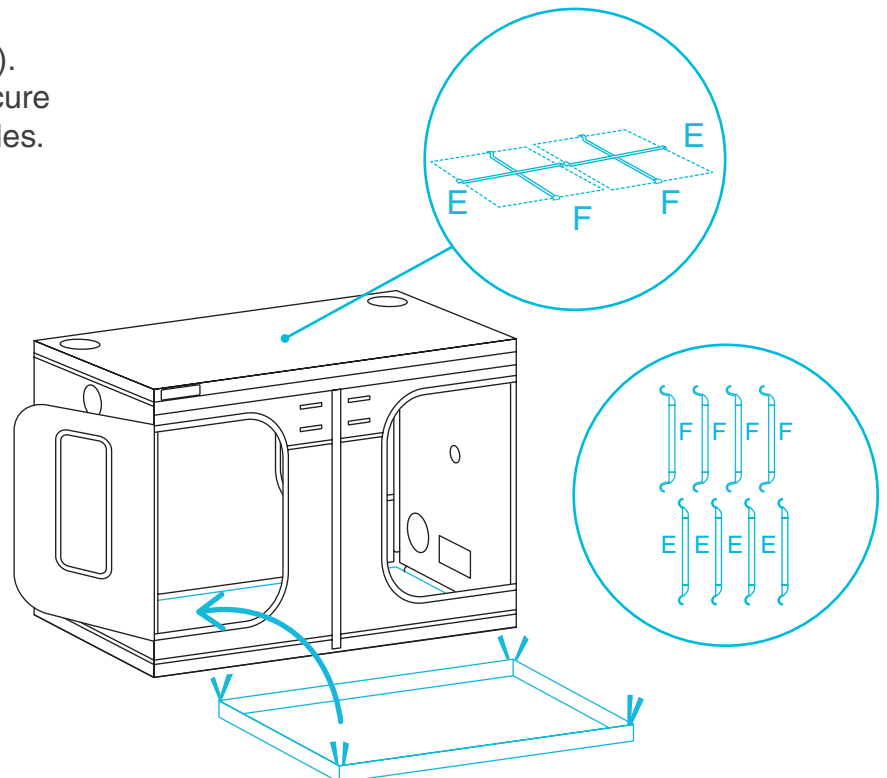
STEP 7

Latch both walls together in the center and pull the zipper down, making sure the front flaps are over the walls.



STEP 8

Add the roof support beams (E) then (F). Insert the spill pool into the tent and secure the hook and loop straps around the poles.



TENT SETUP

CLOUDLAB 811 / 899

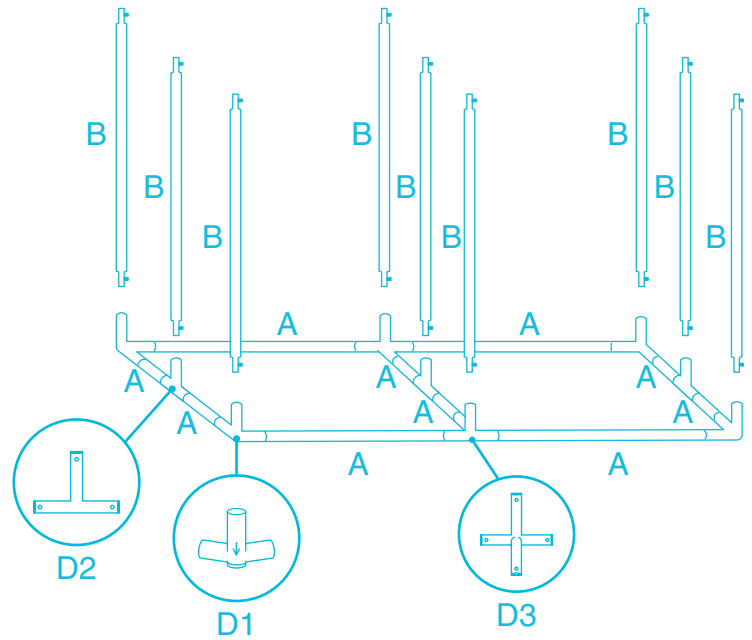
STEP 1

Insert ten (A) poles into the floor end of the corner (D1) pieces, 3-way (D2) connectors, and 4-way (D3) connectors to create the base.

Two of the ten (A) poles will be set in the center, attached by a third 3-way (D2) connector.

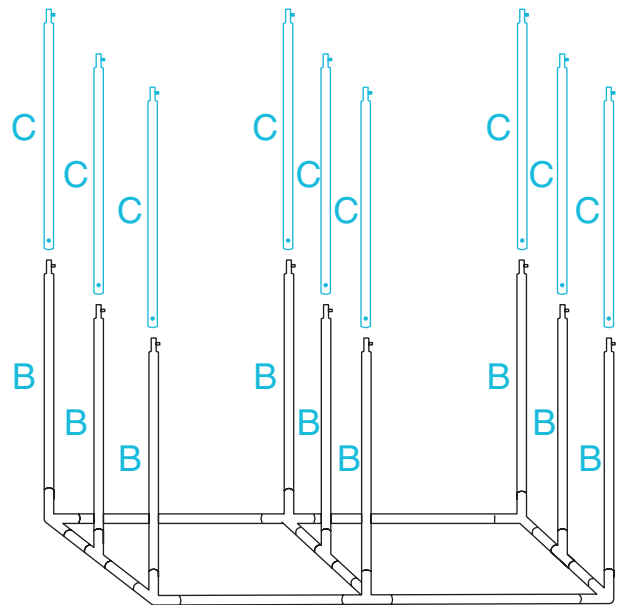
Insert the nine (B) poles into the corner (D1) pieces and the (D2) and (D3) connectors.

When assembling, make sure the feet of each corner (D1) piece faces the floor with the arrow facing down.



STEP 2

Insert the nine (C) poles into the nine (B) poles.



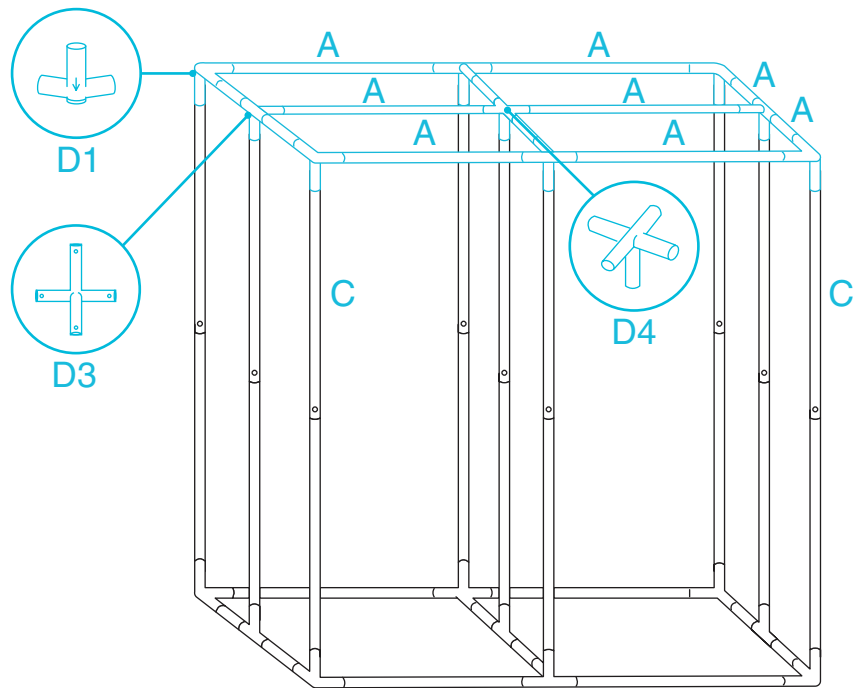
TENT SETUP

CLOUDLAB 811 / 899

STEP 3

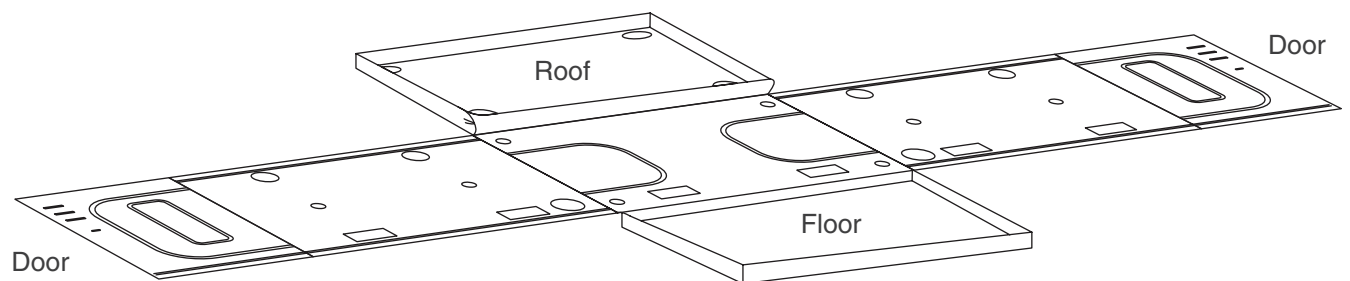
Insert four corner (D1) pieces into the corner (C) poles, four 4-way (D3) connectors into the middle (C) poles, and the 5-way (D4) connector into the center (C) pole.

Insert twelve Group (A) poles in between the corner (D1) pieces and 4-way (D3) connectors.



STEP 4

Unzip the tent so that it lays flat.

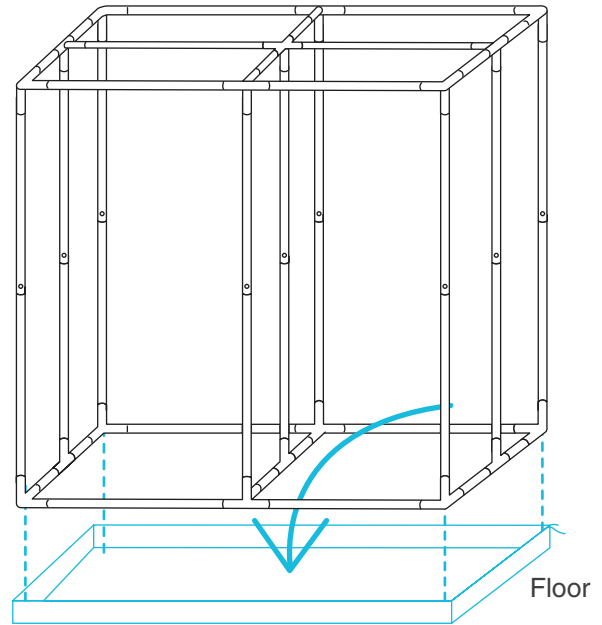


TENT SETUP

CLOUDLAB 811 / 899

STEP 5

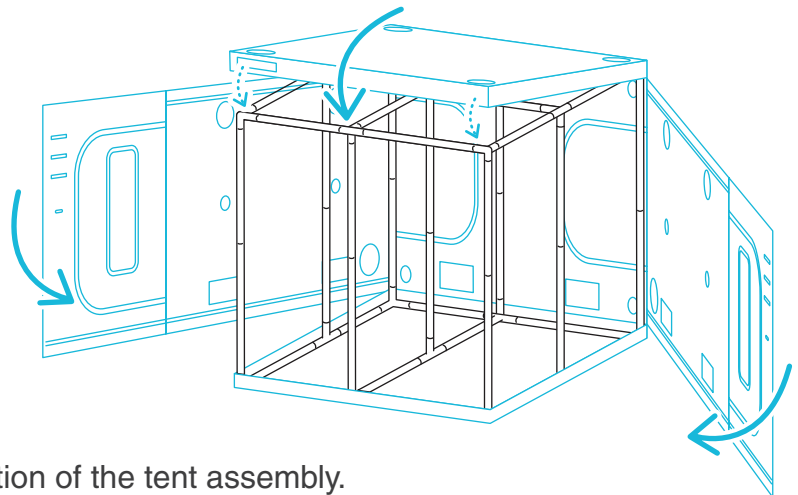
Guide the completed frame into the floor of the tent, making sure its corners meet the tent's corners.



*Two people are recommended for this portion of the tent assembly.

STEP 6

Pull the roof over the assembled frame. Pull the upper and lower zippers to close the walls.



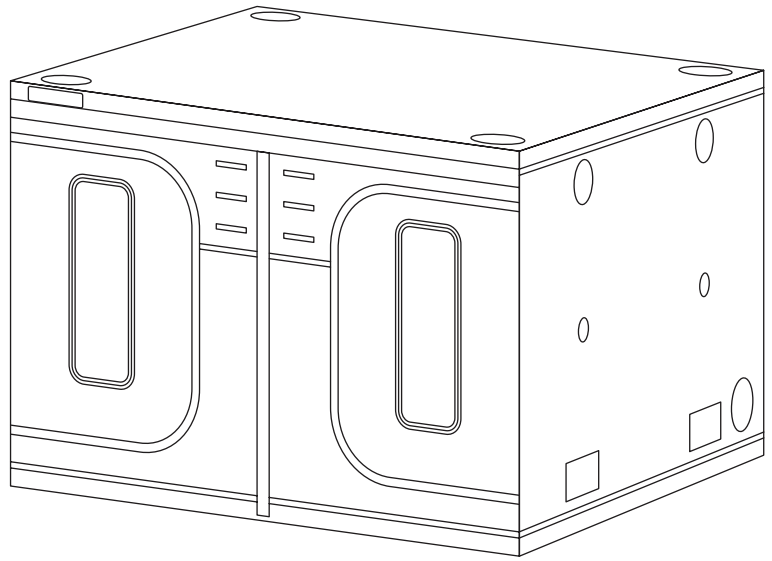
*Two people are recommended for this portion of the tent assembly.

TENT SETUP

CLOUDLAB 811 / 899

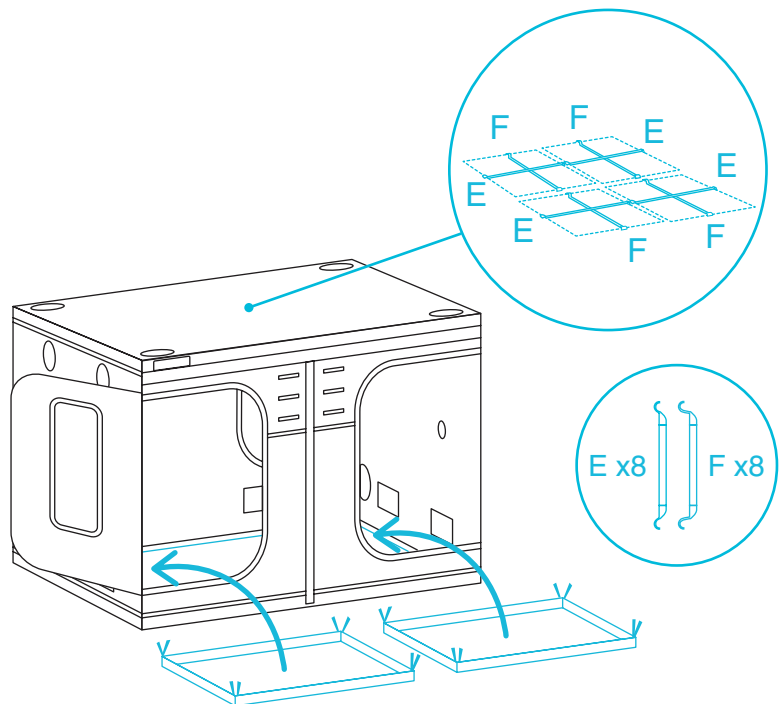
STEP 7

Latch both walls together in the center and pull the zipper down, making sure the front flaps are over the walls.



STEP 8

Add the roof support beams (E) then (F). Insert the spill pool into the tent and secure the hook and loop straps around the poles.



TENT SETUP

CLOUDLAB 632D / 743D / 864D

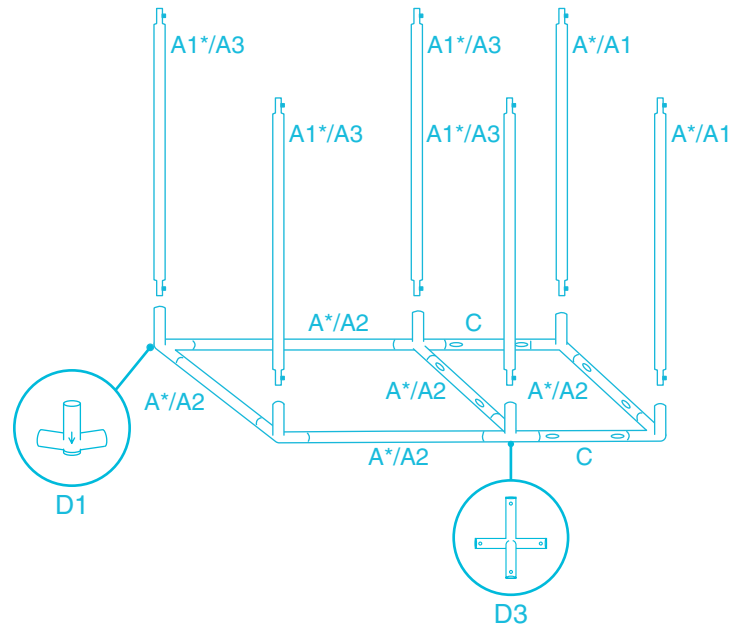
STEP 1

Insert four (A*/A2) poles in between two corner (D1) pieces and two 4-way (D3) connectors. Then insert two (C) poles to the two 4-way (D3) connectors.

Insert an (A*/A2) pole to two corner (D1) pieces and connect them to the two (C) poles to complete the base.

Insert four (A1*/A3) poles into the far corner (D1) pieces and the two 4-way (D3) connectors. Insert two (A*/A1) poles into the remaining corner (D1) pieces.

When assembling, make sure the feet of each corner piece faces the floor with the arrow facing down.

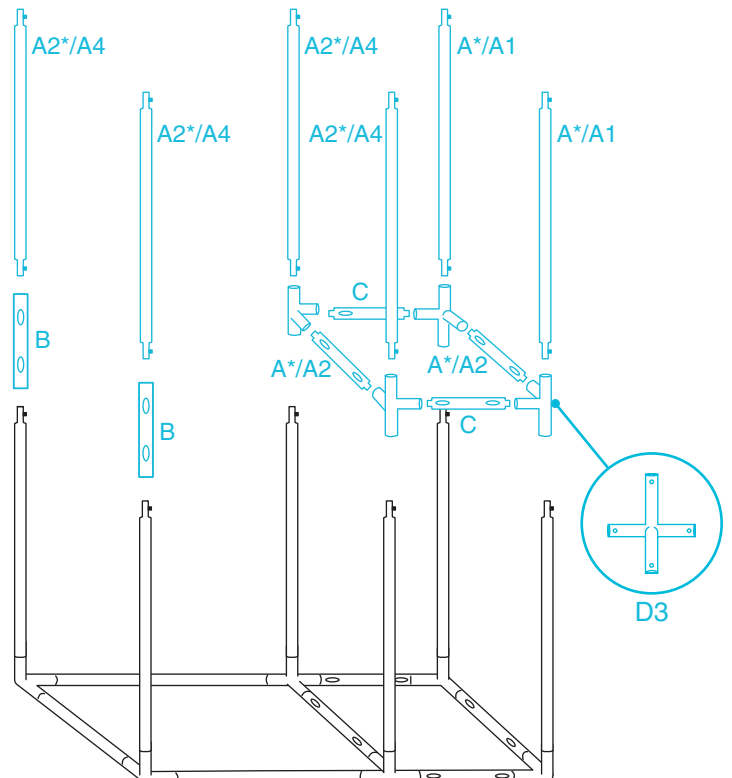


(*) Poles apply to model AC-CBA743D only

STEP 2

Insert the two (A*/A2) poles and two (C) poles into the four 4-way (D3) connectors. Insert two (A2*/A4) poles and the remaining (A*/A1) poles into the four 4-way (D3) connectors. Insert this assembly into the base poles as shown.

Insert the remaining (A2*/A4) poles into the two (B) pieces. Insert these assemblies into the remaining base poles.



(*) Poles apply to model AC-CBA743D only

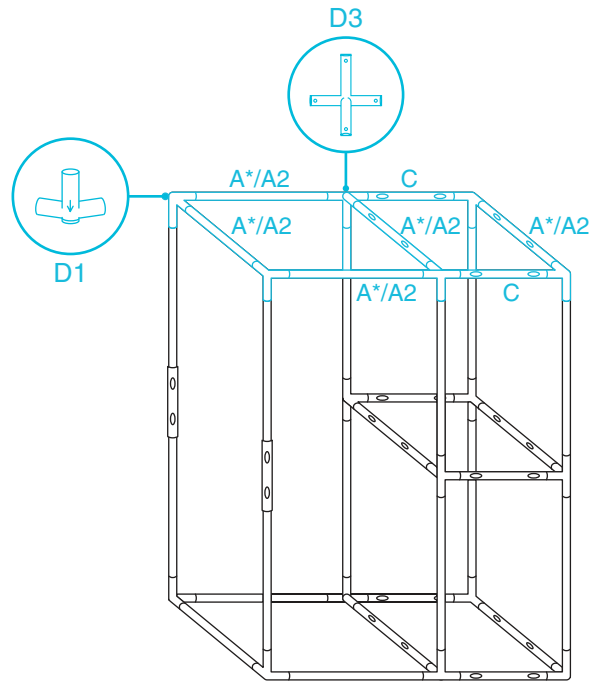
TENT SETUP

CLOUDLAB 632D / 743D / 864D

STEP 3

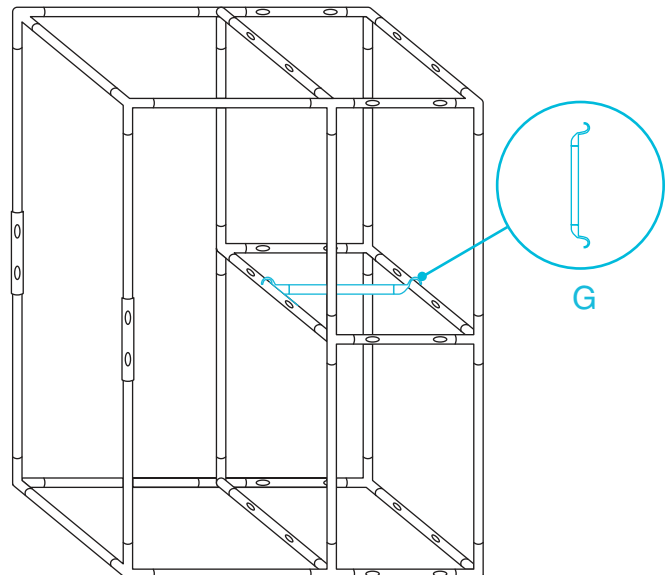
Insert the remaining corner (D1) pieces and 4-way (D3) connectors into the poles.

Insert the remaining (A*/A2) poles and (C) poles in between the corner pieces and connectors as shown.



STEP 4

Add a rack (G) support beam onto the shelf.

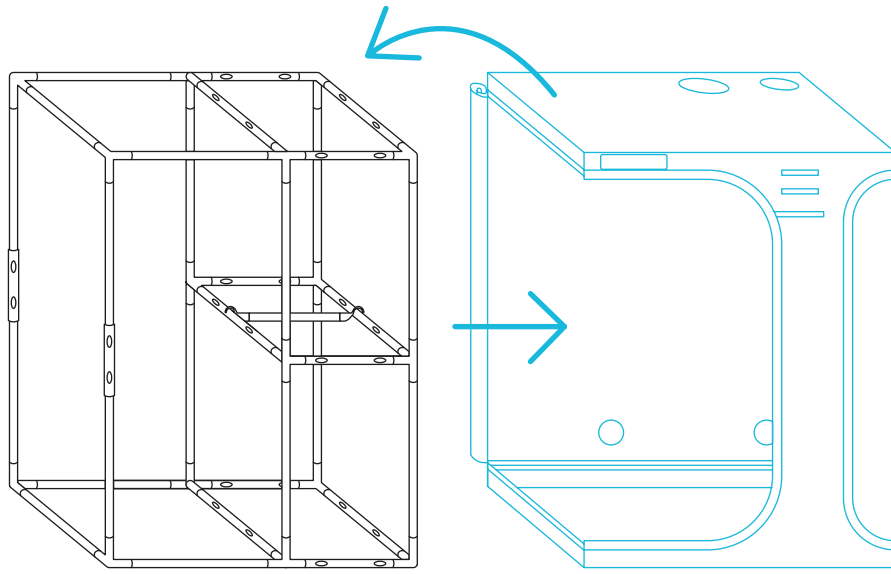


TENT SETUP

CLOUDLAB 632D / 743D / 864D

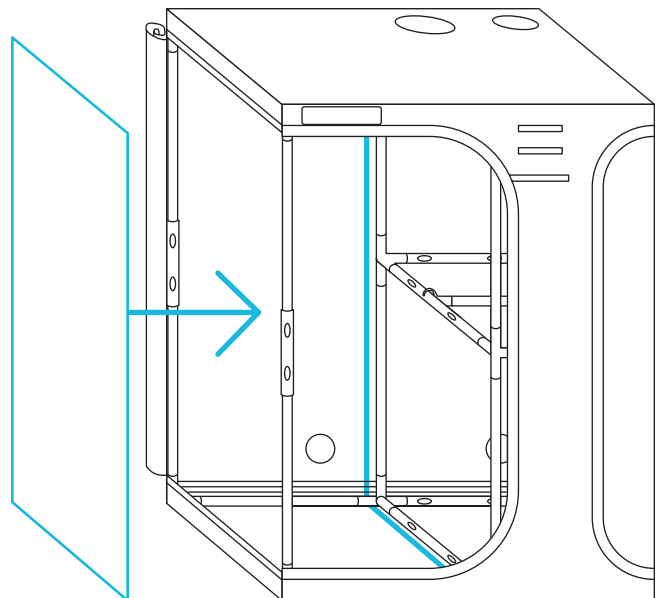
STEP 5

Guide the completed frame through the tent canvas, pulling the tent floor and the ceiling a little at a time so that the canvas properly envelops the frame.



STEP 6

Locate the hook and loop strip that lines the tent interior, making sure it extends out enough to fully apply the mylar wall.

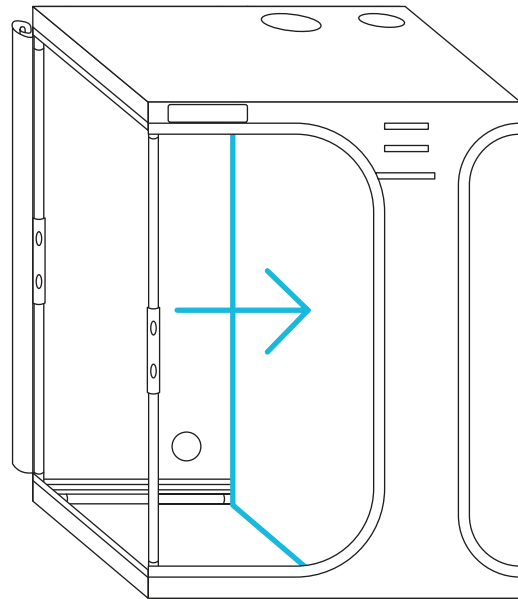


TENT SETUP

CLOUDLAB 632D / 743D / 864D

STEP 7

Apply the mylar wall using the interior hook and loop to divide the two chambers. Press the wall firmly to avoid gaps.

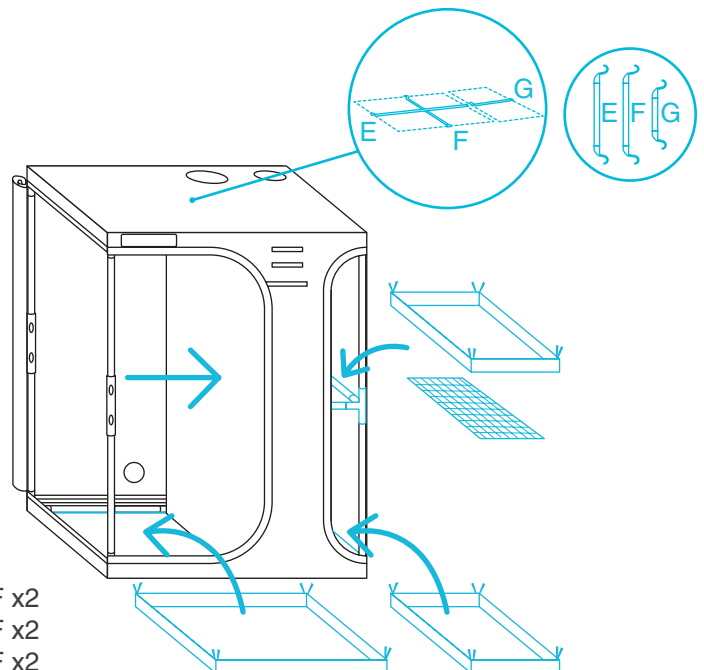


STEP 8

Add the roof support beams (G), (E) then (F).

Insert the spill pool into the tent and secure the hook and loop straps around the poles.

Place the drying rack on the assembled shelf. (Make sure to tie the small spill pool on top of the drying rack.)



CBD632: E x1, F x2
CBD743: E x2, F x2
CBD864: E x2, F x2

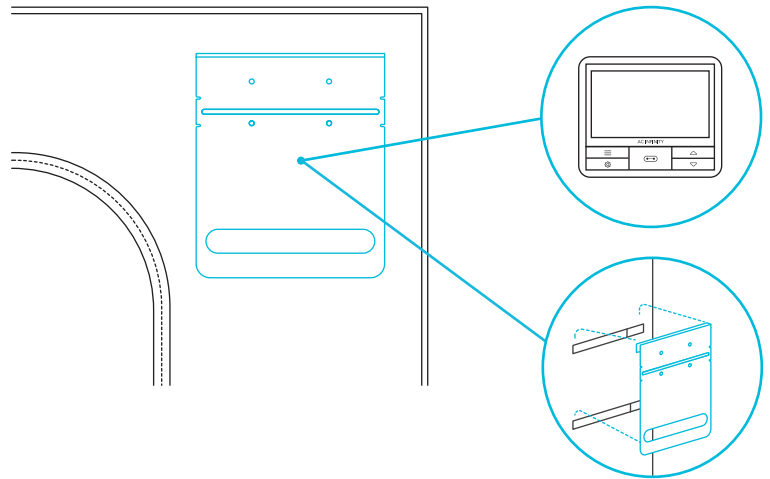
CONTROLLER PLATE SETUP

STEP 1

Mount your controller onto the included controller plate.

Use the included screws to mount an AC Infinity controller. Use the controller adhesive to attach a non-AC Infinity controller.

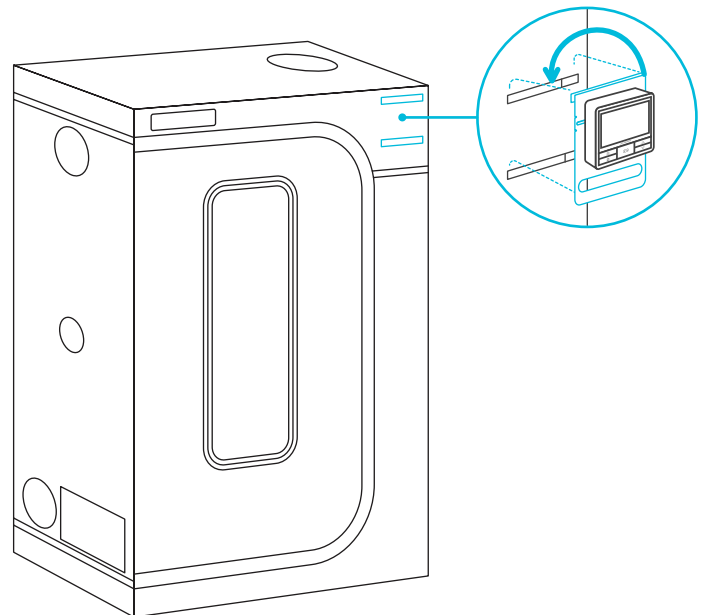
Refer to the Mounting Guide section for mounting instructions of your controller.



Controller Not Included

STEP 2

Slide the controller plate assembly into the tent straps.



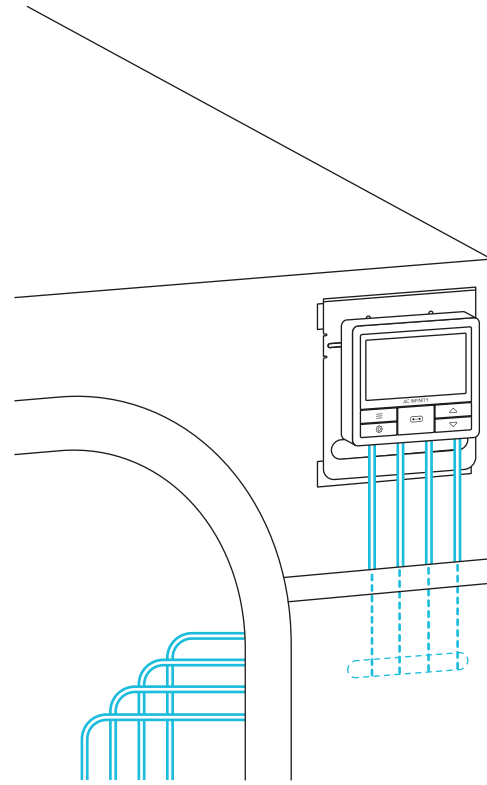
Models CBA811, CBA816, and CBA866 will include a lower third strap for an alternate mounting location.

CONTROLLER PLATE SETUP

STEP 3

Route your devices' power connectors through the opening inside and plug them into your controller.

Plug the probe into your controller and route its cables through the opening.



MOUNTING GUIDE

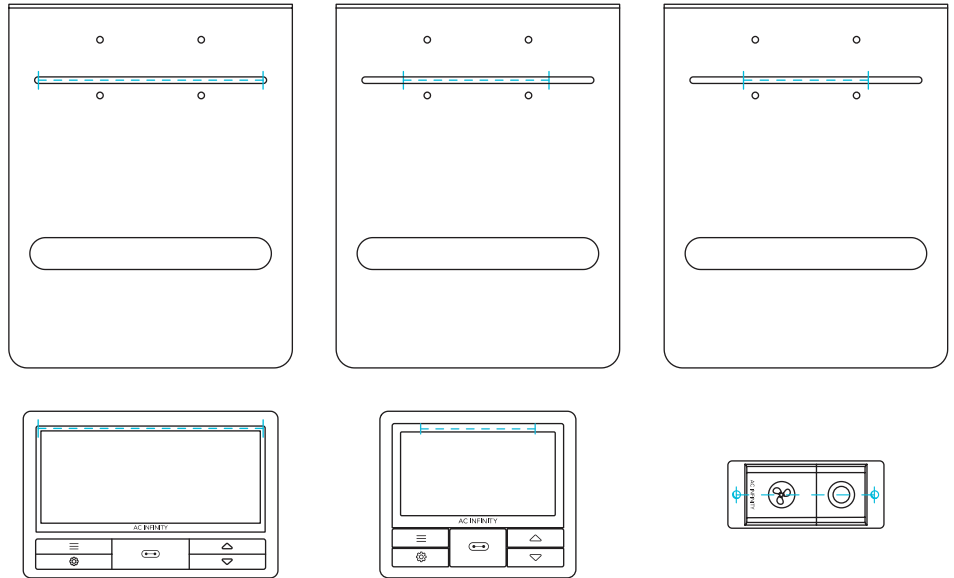
CONTROLLER PLATE

This grow tent includes a steel plate with a mounting slot for AC Infinity controllers. Mount your controller to the corresponding areas on the plate's slot. Route its wires through the oval opening and through the grow tent's flap. Some controller models may contain a hidden magnet on the backside, which can stick onto this plate without screws.

To attach a non-AC Infinity controller, use the included controller adhesive to hold it onto the plate.

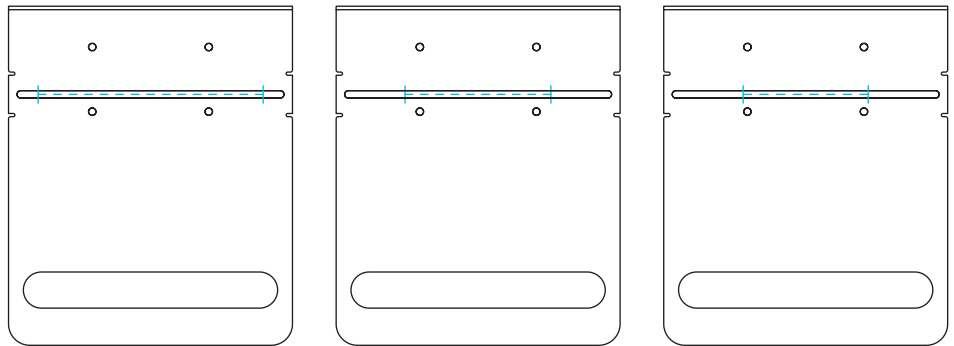
ONLY INCLUDED WITH

- CLOUDLAB 642
- CLOUDLAB 844
- CLOUDLAB 866
- CLOUDLAB 894
- CLOUDLAB 899
- CLOUDLAB 816
- CLOUDLAB 811



ONLY INCLUDED WITH

- CLOUDLAB 422
- CLOUDLAB 632
- CLOUDLAB 733
- CLOUDLAB 722
- CLOUDLAB 632D
- CLOUDLAB 743D
- CLOUDLAB 864D



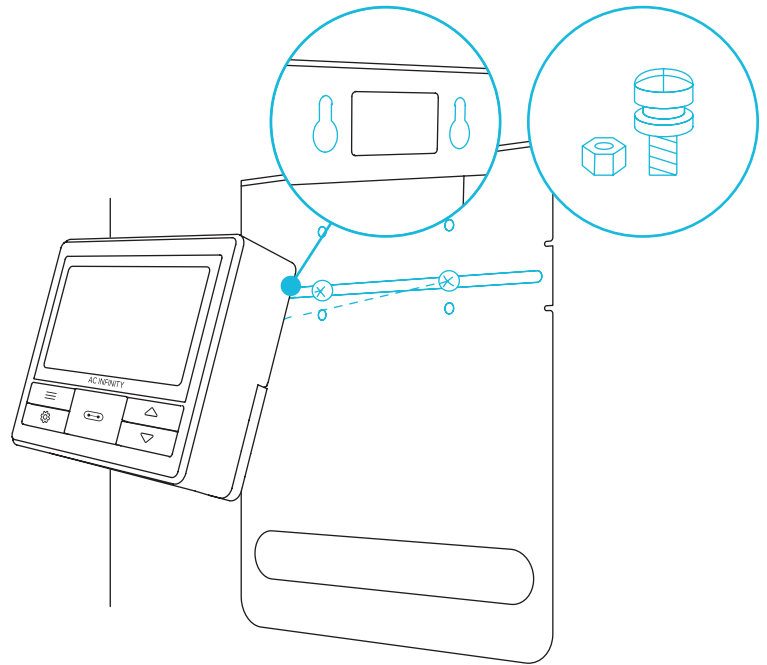
*Controllers Sold Separately

MOUNTING GUIDE

HARDWARE MOUNTING

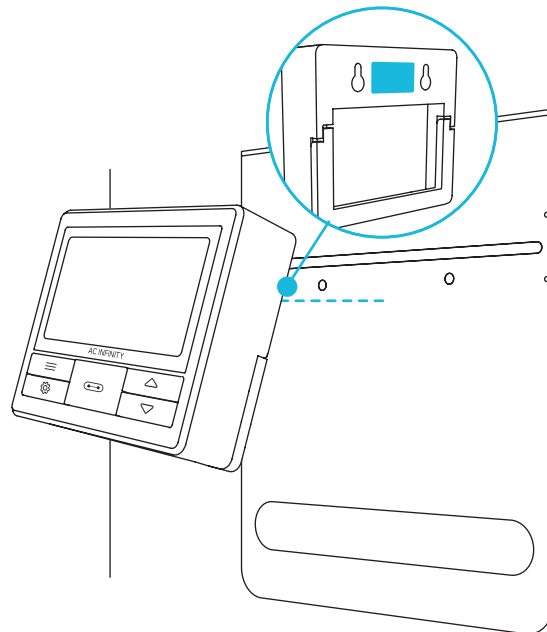
Screw the bolts into the slot or mounting holes at the upper half of the plate.

Hang the controller by the bolts using the holes on the backside.



MAGNET MOUNTING

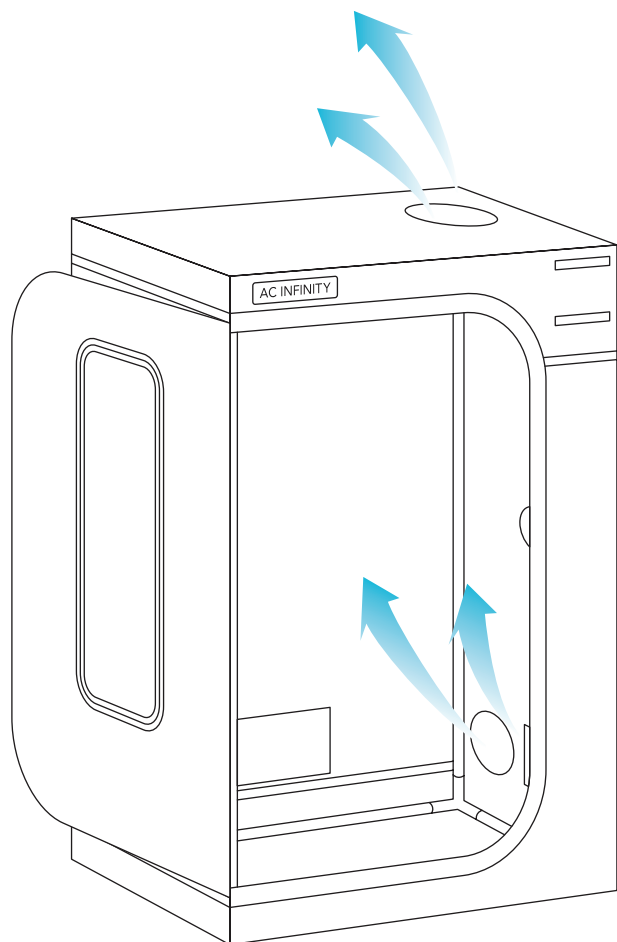
You may also magnetically mount the controller onto the steel plate if it has a magnet located behind its label.



QUICK BUILD GUIDE

INLINE FAN AND GROW LIGHT

First hang your inline duct fan to be used as an exhaust fan by the roof support beams. If you are using a carbon filter, hang it using its included straps. Then install your grow light underneath this ductwork. You may use rope clip hangers to install these products.



DOUBLE-SIDED CINCHES

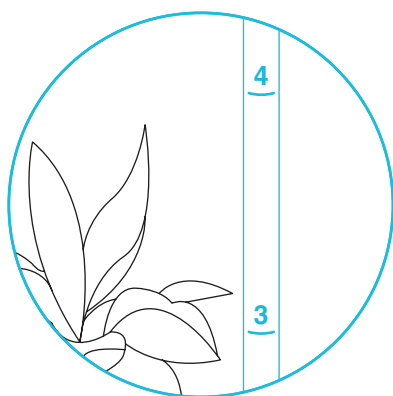
Install any necessary duct tubes onto the ducting ports. Use the cinches on either end to secure the duct tubes onto the grow tent.

INTAKE HOLES

Introduce fresh air by using one of the two ventilation holes at the bottom of the grow tent. Open a passive intake screen or create active intake by attaching an additional inline fan to a duct port.

NEED MORE INFORMATION?

Scan the QR code or visit www.acinfinity.com for more guides and tutorials.



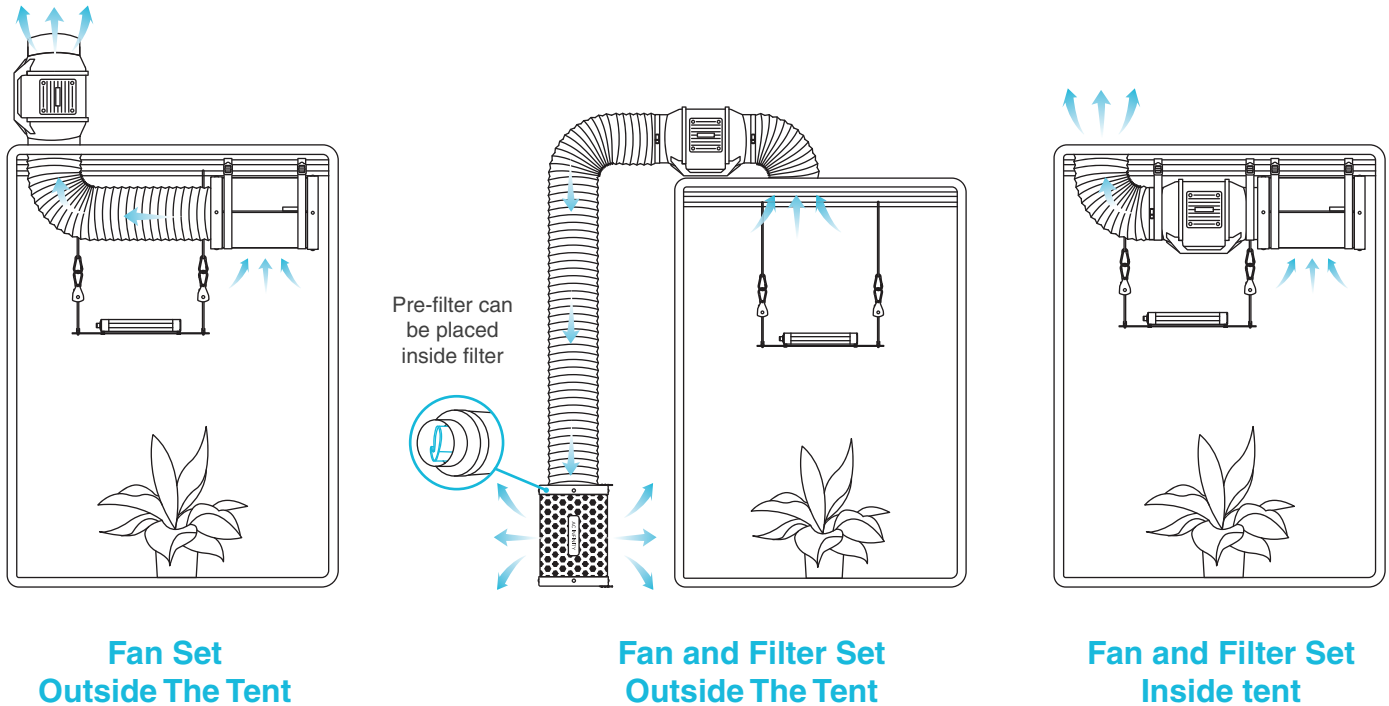
TENT POLES

You may use the tent poles' length markers (in feet) to help measure your plant's height.

CONFIGURATION SETUP

LIGHT AND VENTILATION PLACEMENT

There are many ways to configure these components to bring airflow into your grow space. A typical setup places the fan and the filter inside, which makes it easier to manage while dampening the fan noise. Both can be situated in any order within the ventilation chain if air is being pulled out of your grow space.



For example, your grow lights might get in the way of your cooling equipment. In this case, you may set the fan and/or filter outside of your grow tent.

We recommend setting your extraction fan at the highest point possible. Since heat rises to the top, exhausting that hot air at that point will make the ventilation process efficient. Your carbon filter will also perform better if it's positioned at the highest point.

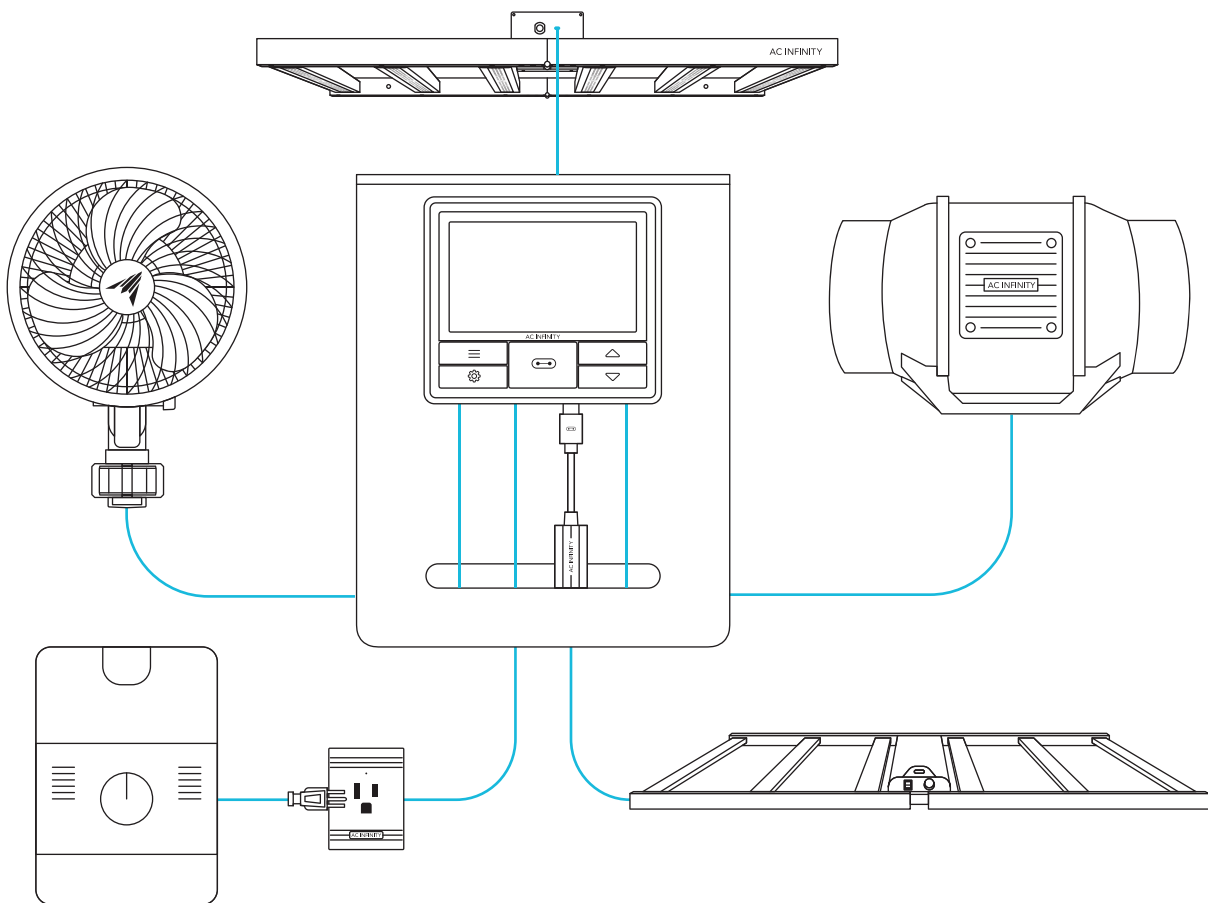
UIS™ PLATFORM

AN INTERCONNECTED BUILD

The UIS™ platform enables you to connect a single central controller with several grow devices simultaneously. By creating this fully integrated system, you can power and program all your devices together or separately for optimized grow tent management.

Use select smart controllers to set triggers that will activate your devices based on your grow tent's temperature and humidity. Create independent timers and schedules for customized activation in your desired time frame.

Your grow system can be regulated using your controller hub or remotely on the AC Infinity app (paired with compatible controllers), where you will have access to automation programming and climate data.

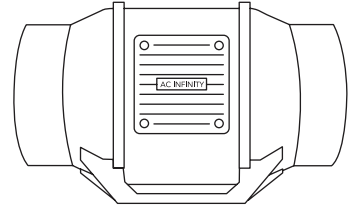


Central controllers and grow devices will be sold separately and may still be in development at the time of your purchase of this product.

AC INFINITY PRODUCTS

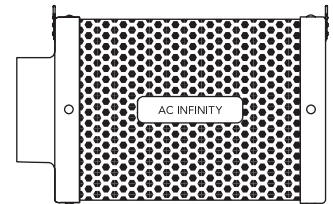
Inline Duct Fans

The CLOUDLINE series is a line of duct fans designed to quietly ventilate AV rooms and closets, as well as various DIY air circulation and exhaust projects. Features a thermal controller with intelligent programming that will automatically adjust duct fan speeds in response to changing temperatures.



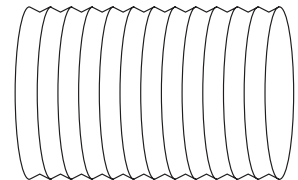
Carbon Filters

The duct carbon filter is designed to eliminate odors and chemicals for grow tents and hydroponic spaces. It utilizes premium grade Australian charcoal that features greater absorption power and a longer lifespan. Enables maximum airflow pass through as part of an intake or an exhaust system.



Duct Tubes

The four-layer ducting tube is used to direct airflow, designed for ventilation systems in applications like HVAC, dryers, and grow rooms. It is highly durable and flexible, and can be used anywhere from tight spaces to wide open areas.



WARRANTY

This warranty program is our commitment to you, the product sold by AC Infinity will be free from defects in manufacturing for a period of two years from the date of purchase. Commercial grow lights sold by AC Infinity receive a five year warranty period. If a product is found to have a defect in material or workmanship, we will take the appropriate actions defined in this warranty to resolve any issues.

The warranty program applies to any order, purchase, receipt, or use of any products sold by AC Infinity or our authorized dealerships. The program covers products that have become defective, malfunctioned, or expressively if the product becomes unusable. The warranty program goes into effect on the date of purchase. The program will expire two years from the date of purchase (five years from the date of purchase of commercial grow lights). If your product becomes defective during that period, AC Infinity will replace your product with a new one or issue you a full refund.

The warranty program does not cover abuse or misuse. This includes physical damage, submersion of the product in water, incorrect installation such as wrong voltage input, and misuse for any reason other than intended purposes. AC Infinity is not responsible for consequential loss or incidental damages of any nature caused by the product. We will not warrant damage from normal wear such as scratches and dings.

Contact our dealers department at dealers@acinfinity.com or **(626) 838-4656** for more information about our dealers and distributors program. Contact our customer service department at support@acinfinity.com or **(626) 923-6399** for product and warranty assistance. Our business hours are Monday through Friday, 9:00 am to 5:00 pm PST.



If you run into any issues with this product, contact us and we'll happily issue a replacement or a full refund!

COPYRIGHT © 2024 AC INFINITY INC. ALL RIGHTS RESERVED

No part of the materials including graphics or logos available in this booklet may be copied, photocopied, reproduced, translated or reduced to any electronic medium or machine readable form, in whole or in part, without specific permission from AC Infinity Inc.

www.acinfinity.com